



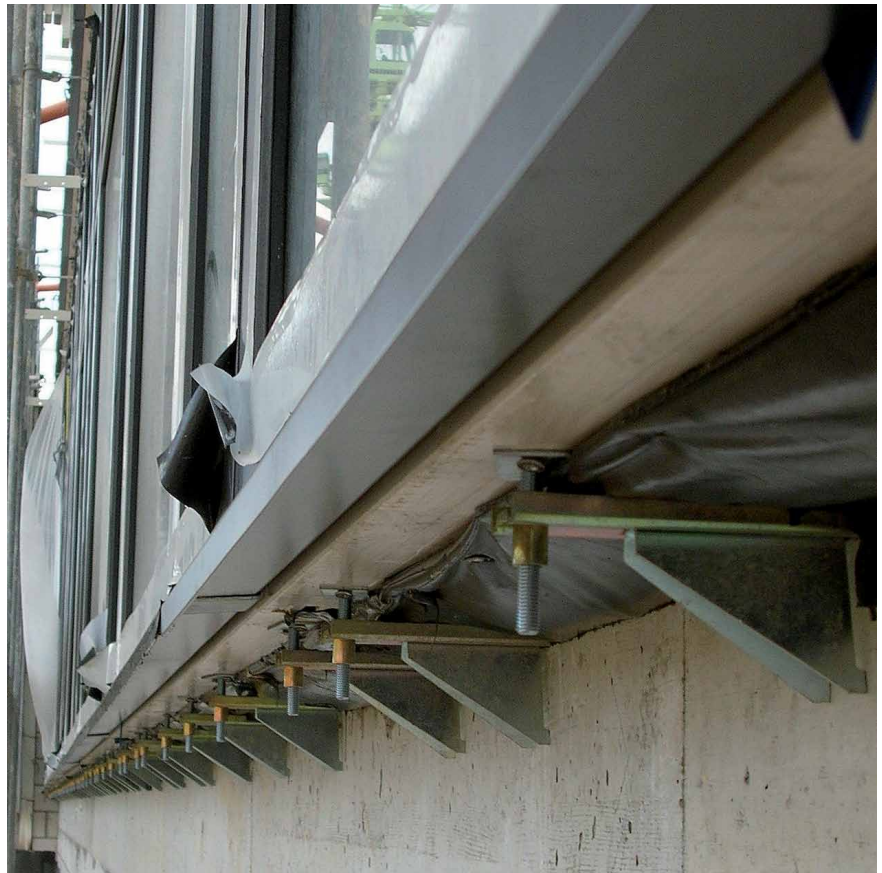
**JB-D®**  
**Cantilevered window support system**



## JB-D® – the Window Installation System with many + Advantages

The JB-D® mounting system permits accurate window and doorset positioning and accommodates all dead and imposed loads.

The JB-D® system is adjustable in three planes to easily compensate for constructional tolerances. The installation cantilever is up to 150 mm and can be positioned according to the optimum isothermal profile.



### Cost Effective

- + Fully 3D adjustable
- + Easy to compensate for common construction tolerances
- + Simple, quick and secure installation of larger, heavier windows and doorsets
- + System solution for cantilevers of 30 mm to 150 mm
- + Increased load capacity without costly additional support components
- + The robust design of the assembly gives assurance against potential post-installation problems

### Higher Quality

- + Calculated load bearing capacity and safety statics (see data sheets)
- + Secure, consistent window installation
- + Accommodating all operating loads
- + Comprehensive system from one supplier
- + Easy and secure mounting according to RAL regulations / ift Rosenheim (Germany)

### Construction Physics

- + Installation cantilever selected according to optimum isothermal profile
- + Sealing process is not hindered
- + Sufficient space for insulation and sealing materials

### EnEV 2012 – Building conforming to the law

Developed in accordance with European guidelines as an integrated system to achieve robust, energy efficient window installation.



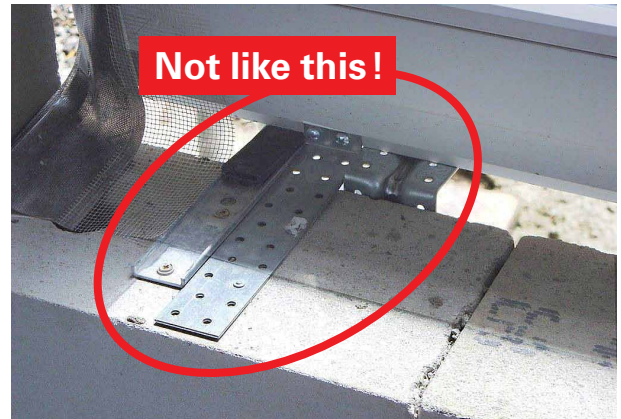


## Structural Defects Resulting from Errors in Design or Installation



### Trouble with condensation?

When warm air cools too quickly on the inside of the window, condensation forms. This can be avoided through proper calculation of the window position.



**Not like this!**



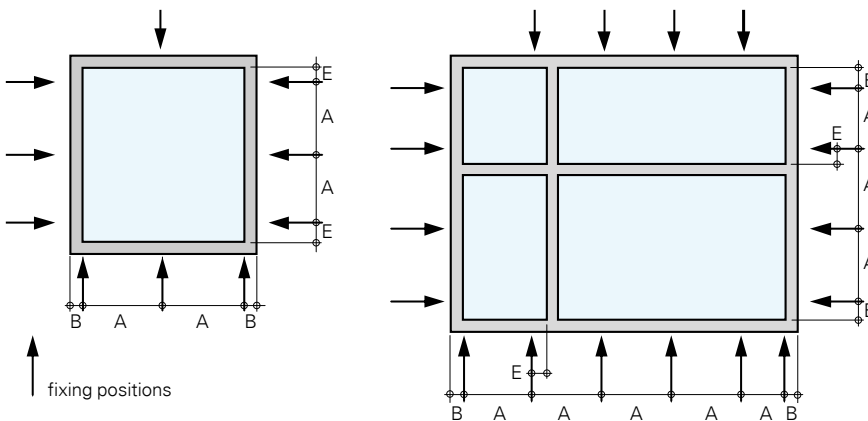
### This is incorrect installation!

Above, we show the attempt to install with "make-do" supports a window in the insulation zone – an inconsistent, unreliable, costly approach.

### Mould is unhealthy

Mould indicates design errors. The isothermal profile was incorrectly calculated, or the window installation was not carried out properly.

## Determining frame fixing positions



### A Spacing of JB-D® mounting brackets

- aluminium windows: max. 800 mm
- timber windows: max. 800 mm
- PVCu windows: max. 700 mm

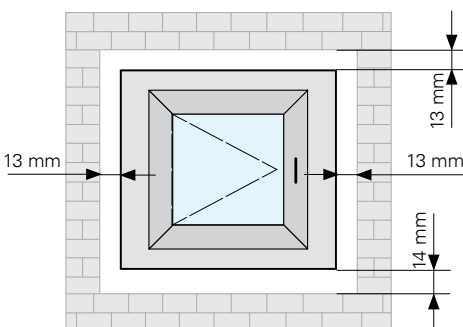
### B Spacing from the outer corner

50–70 mm from the outer corner of the window frame

### E Spacing from the inner corner

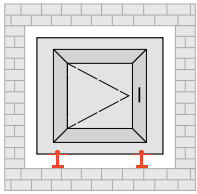
Distance from the **inside corner** of the jamb frame and the mullions / transoms, 100–150 mm

## Clearance



minimum distance  
Aperture to frame

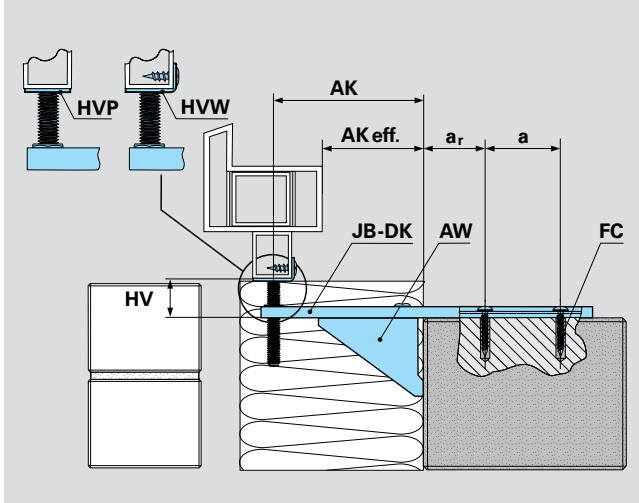
Maximum distance /  
gap width 25 mm



## Pre-installation of JB-DK brackets on the cill of the aperture (pre-installed without window)

Structure:

**Sand-lime brick, concrete**



### Dimensions and names

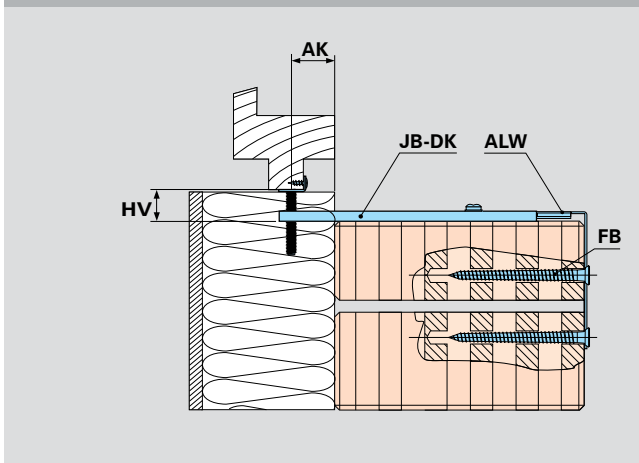
<b>AK</b>	max. cantilever (with respect to mid-frame profile)
<b>AK eff.</b>	effective cantilever (depending on profile width)
<b>HV</b>	Height adjustment, max. 30 mm
<b>a</b>	Centres distance, min. 25 mm (appl. to SFS fasteners)
<b>ar</b>	Edge distance, min. 30 mm (applies to SFS fasteners)
<b>AW</b>	Support angle, over 50 mm cantilever
<b>ALW</b>	Support angle for perforated bricks
<b>HVW</b>	Height adjustable angle
<b>HVP</b>	Height adjustment plate

### JB-DK brackets

mm	Order code	Item No.
<b>AK 5-50</b>	JB-DK50/5-HVW30	1172603
	JB-DK50/5-HVP30	1172604
138/1,5 mm	JB-DK50/10-HVW30	1187876
	JB-DK50/10-HVP30	1187877
<b>AK 5-100</b>	JB-DK100/10-HVW30	1172607
	JB-DK100/10-HVP30	1172608
188/2,5 mm	JB-DK100/10-AW75/27-HVW30	1246444
	JB-DK100/10-AW75/27-HVP30	1246449
<b>AK 100-130</b>	JB-DK100-130/10-AW125/57-HVW30	1246445
	JB-DK100-130/10-AW125/57-HVP30	1246450
<b>AK 120-150</b>	JB-DK120-150/10-AW125/37-HVW30	1246446
	JB-DK120-150/10-AW125/37-HVP30	1246451

Structure:

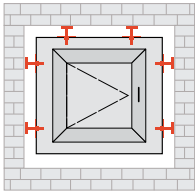
**Perforated bricks**



### JB-DK-ALW brackets

mm	Order code	Item No.
<b>AK 100</b>	JB-DK100/10-ALW-HVW30	1248371
	JB-DK100/10-ALW-HVP30	1248372
<b>AK 100</b>	JB-DK100/10-ALW-AW75-HVW30	1246447
	JB-DK100/10-ALW-AW75-HVP30	1246452

The window installation on perforated brick masonry uses the **ALW** support angle. It is attached on the inside of the structure with FB fasteners.

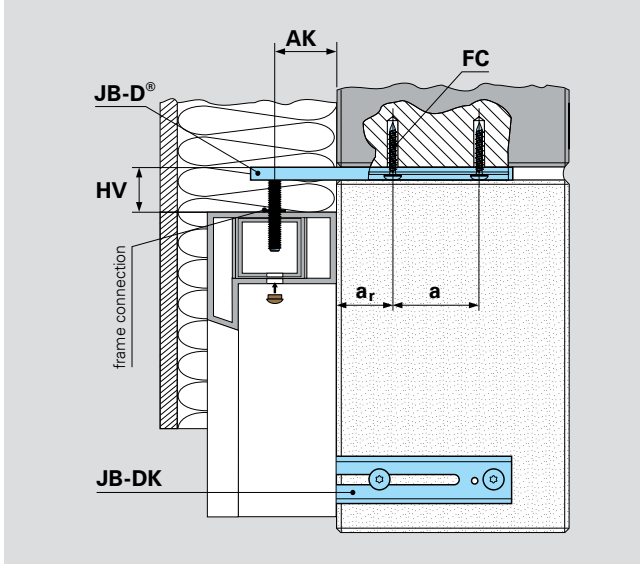


## Pre-installation of JB-D® brackets on the Jamb and Head of the frame (after window fabrication, or on-site)

Structure: **Perforated brick,  
Sand-lime brick, concrete**

### JB-D® bracket

Pre-assembled with fixing plate



HV60	HV40	mm	Order code	Item No.
		138/1,5 mm	<b>AK 5-50</b> JB-D50/5-40-AM8-T	1172634
			JB-D50/5-60-AM8-T	1172635
		138/2,5 mm	<b>AK 5-50</b> JB-D50/10-40-AM8-T	1246396
			JB-D50/10-60-AM8-T	1246440
		188/2,5 mm	<b>AK 5-100</b> JB-D100/10-40-AM8-T	1246438
			JB-D100/10-60-AM8-T	1246441
		253/2,5 mm	<b>AK 100-150</b> JB-D150/10-40-AM8-T	1249502
			JB-D150/10-60-AM8-T	1249503
		253/2,5 mm	JB-D150/10-AW75-40-AM8-T	1246439
			JB-D150/10-AW75-60-AM8-T	1246443



### Protective caps

Order code	Item No.	Colour
CC-JB/10,5 RAL 8011	846877	brown
CC-JB/10,5 RAL 9010	846879	white
CC-JB-SD RAL 9010	852078	white

SD = driving rain proof, ift approved



### JB-D® System load capacity (only valid if installed with SFS screws, concrete, sand-lime brick)

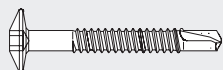
Product	Load type	Load capacity in N														
		20	30	40	50	60	70	80	90	100	110	120	130	140	150	
Cill bracket	JB-DK50/5	compression	540	480	400											
	JB-DK50/10	compression	2000	1500	1000											
	JB-DK100/10	compression			1350	1140	920	700	600	500						
	JB-DK100/10-AW75	compression			3400	2800	2150	1400	1200	1000						
	JB-DK100-130/10-AW125	compression								2800	2300	1800	1600			
	JB-DK120-150/10-AW125	compression										1800	1600	1350	1150	
tension and <b>compression</b> load type (bottom and top) to be added (see sketch below)																
Jamb bracket	JB-D50/5	tension (H <sub>1</sub> )/(H <sub>2</sub> )	250	225	200											
		compress. H <sub>1</sub> /H <sub>2</sub>	540	480	400											
	JB-D50/10	tension (H <sub>1</sub> )/(H <sub>2</sub> )	900	750	600											
		compress. H <sub>1</sub> /H <sub>2</sub>	2000	1500	1000											
	JB-D100/10	tension (H <sub>1</sub> )/(H <sub>2</sub> )	600	520	440	350	300	250								
		compress. H <sub>1</sub> /H <sub>2</sub>	1350	1140	920	700	600	500								
	JB-D150/10	tension (H <sub>1</sub> )/(H <sub>2</sub> )									250	215	175	140	120	100
		compress. H <sub>1</sub> /H <sub>2</sub>									500	385	315	250	225	200
	JB-D150/10-AW75	tension (H <sub>1</sub> )/(H <sub>2</sub> )									1200	1050	900	750	625	500
		compress. H <sub>1</sub> /H <sub>2</sub>														
Cantilever in mm			20	30	40	50	60	70	80	90	100	110	120	130	140	150

JB-D® models which may be installed onto honeycomb bricks are being processed.

## Fixing to the frame

### SPC coupling screw (selfdrilling)

Order code	Item No.
SPC4/33-5,5x45	1133336
SPC4/43-5,5x55	1133777
SPC4/53-5,5x65	1133778
SPC4/63-5,5x75	1133779
SPC4/73-5,5x85	1133780



100 pieces per box Other lengths avail. Upon request

### SPT hardware fastener Fixing to PVC-u

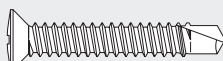
Order code	Item No.
SPT/19-4,3x25	1083053
SPT/24-4,3x30	909207



1000 pieces per box Other lengths avail. Upon request

### SP reinforcement fastener Fixing to reinforced PVC-u

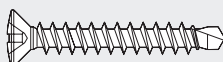
Order code	Item No.
SP3/12-M3,9x19	744523
SP3/18-M3,9x25	744522



1000 pieces per box Other lengths avail. Upon request

### SPW hardware fastener Fixing to timber

Order code	Item No.
SPW/11-25-7,1-P4,2x30	1060996
SPW/30-7,1-P4,2x35	1060997



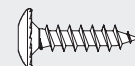
1000 pieces per box Other lengths avail. Upon request

## Fixing of JB-W to the frame

### PVC installation, unreinforced

Order code	Item No.
VAP/34-D13/T30-P6x40-GS	1147091

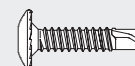
100 pieces per box



### PVC installation, with reinforcement

Order code	Item No.
SPM3/15-D13/T30-5,5x25-GS	1141761

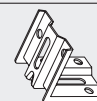
100 pieces per box



### Small mounting angle

Order code	Item No.
JB-W-70x58	1179131

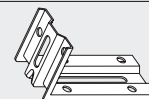
50 pieces per box



### Large mounting angle

Order code	Item No.
JB-W-120x58	1234784

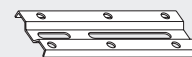
50 pieces per box



### Mounting plate

Order code	Item No.
JB-F-165x58	1179120

50 pieces per box



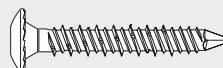
If you have any questions about mounting technology, please call us. Our technicians have years of experience and would be happy to share their extensive knowledge of system applications with you.

## Fixing to the structure / masonry

### Concrete and sand-lime brick installation

Order code	Item No.
FC-D15/T25-7,2x45	924811

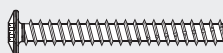
100 pieces per box



### Perforated brick installation

Order code	Item No.
FB-FK-T30-7,5x102	1117984

100 pieces per box Other lengths avail. Upon request



### Drive Bit

Order code	Length	Item No.
Bit T30-202 1/4"-6kt	70 mm	23488
Bit T25-101 1/4"-6kt	25 mm	24008
Bit H2-70 1/4"-6kt	70 mm	761135



10 pieces per box

## Tehniline abi ja müügiteenindus

### SFS intec OY Eesti filiaal

Allika tee 2, Peetri alevik, EE-75312

T + 372 6610 600 [www.sfsintec.biz](http://www.sfsintec.biz)

F + 372 6610 606 [www.idesigner.biz](http://www.idesigner.biz)

E [ee.info@sfsintec.biz](mailto:ee.info@sfsintec.biz)

**SFS** Inventing  
together **success**