

BRACKET TO STEEL APPLICATION

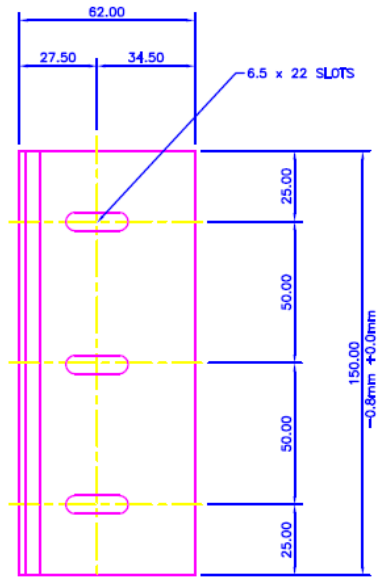
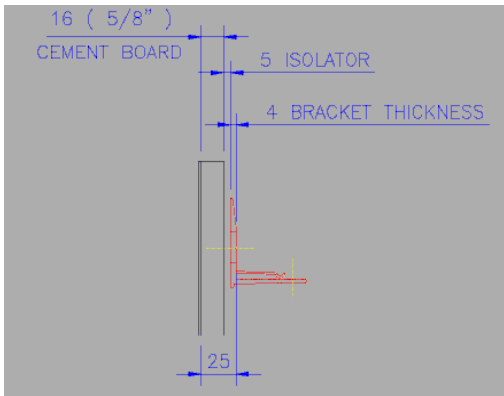
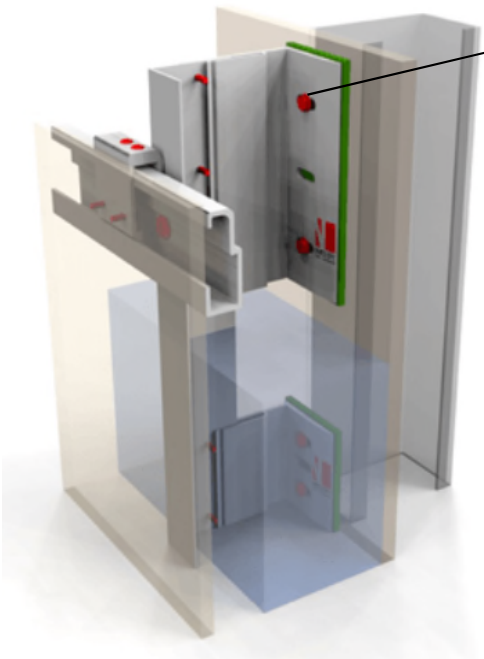
1a

Bracket to Steel Stud (thru exterior gypsum sheeting)
Mainly UK and US market

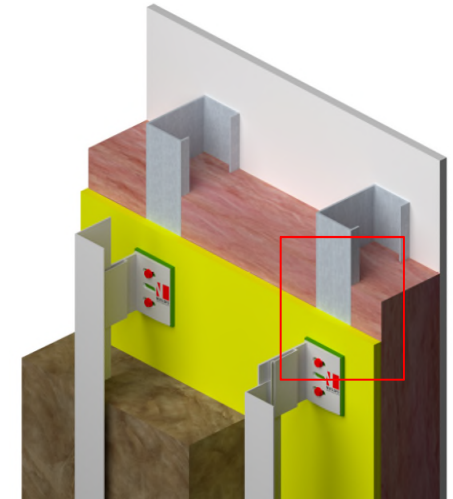
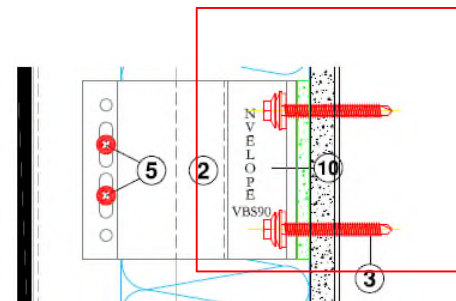
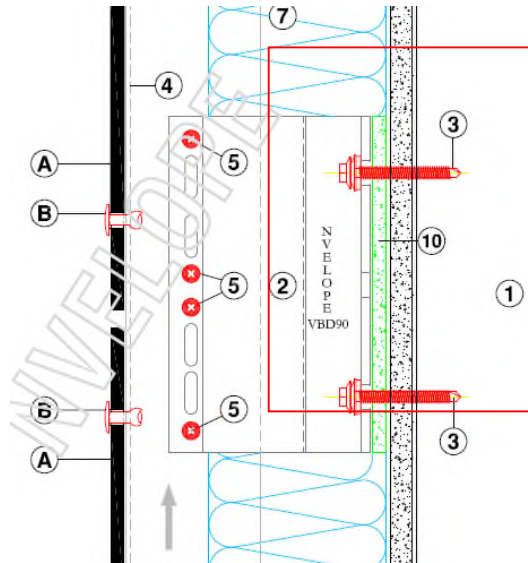
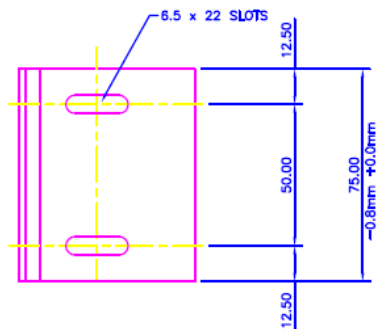
Fastener: **SX5/12-H13/SR2-S16-6,3X28** or **SX5/22-H13/SR2-S16-6,3X38**
 or **SX5/34-H13/SR2-S16-6,3X50**

Application Description

- Typical steel thickness: 18ga (1.21mm) , 16ga (1.52mm) or 14ga (1.90mm)
- Gypsum board from 1/2" (12mm) or 5/8" (16mm) OR sometimes 2x 1/2" thickness



FOR FIXING TO STEEL



+ vapor barrier + safety 2-3mm = 28mm+

BRACKET TO RAIL Application

2

Bracket to Vertical Rail or NH2 adaptor

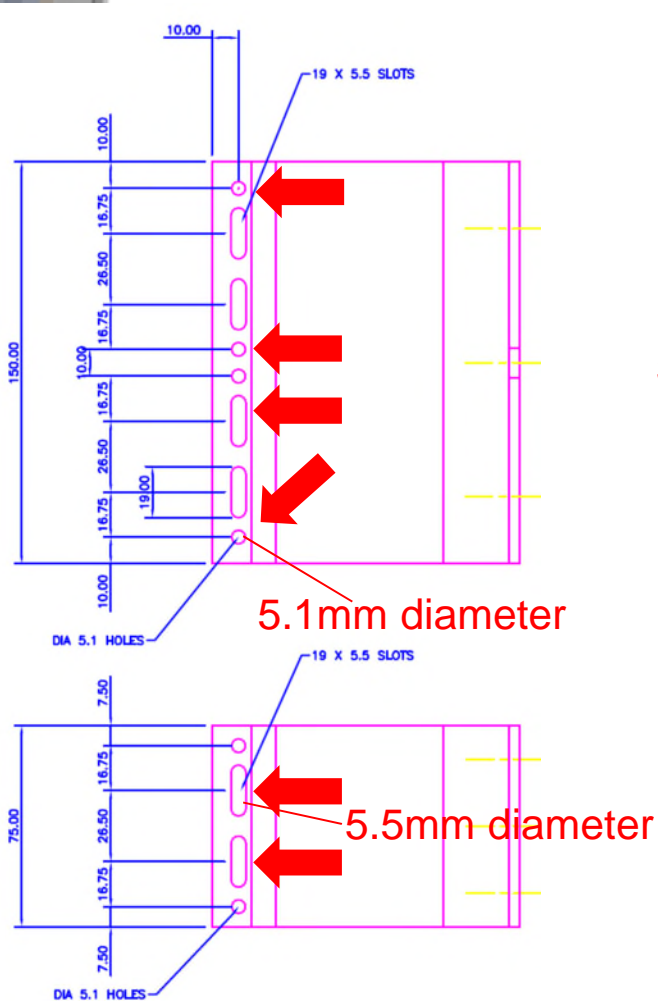
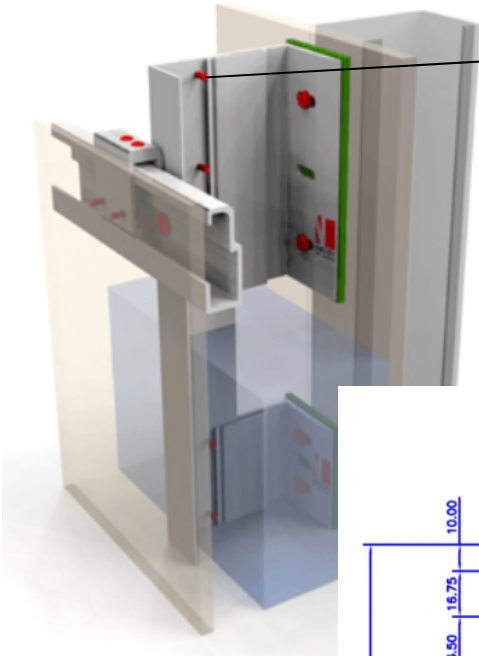
Fastener: **SDA5/3,5-8-H13-S4-5,5X22** (#1507572)

PRE PUNCHED BRACKET to vertical rail connection.

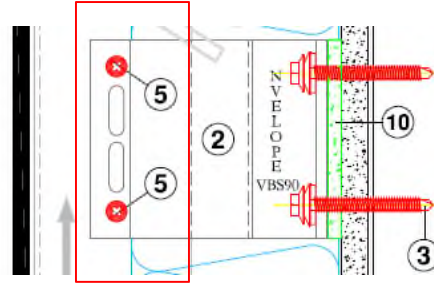
ALU RAIL thickness = 2.2mm ALU or 2.5mm ALU

2x fasteners for single bracket

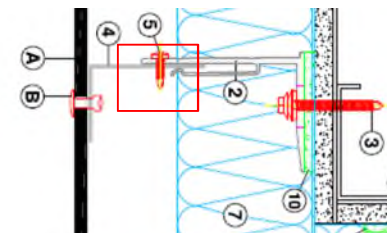
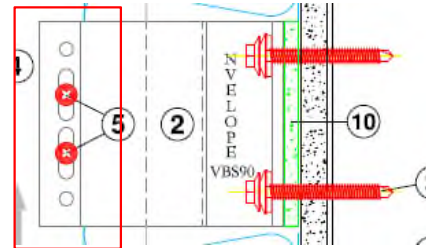
4x fasteners for double brackets (use long hole in the middle)



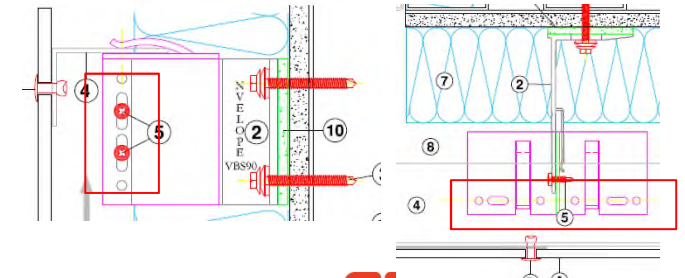
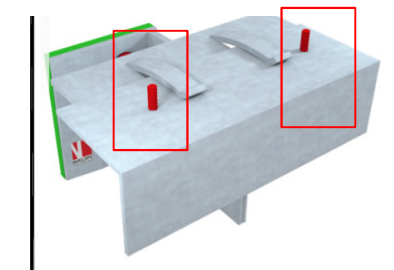
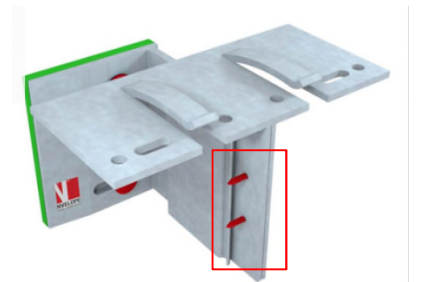
Fixed points



Sliding points



NH2 Horizontal adaptor



RAIL TO RAIL APPLICATION

3

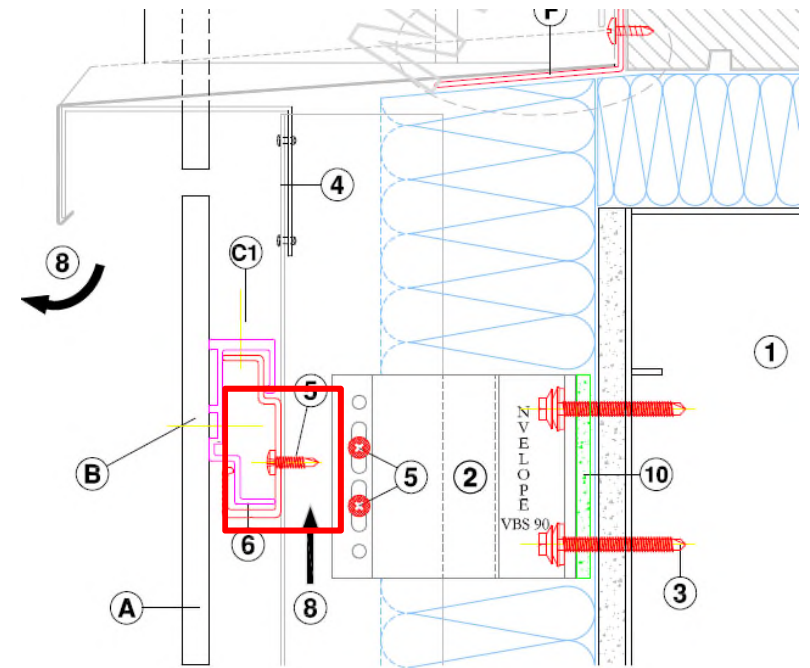
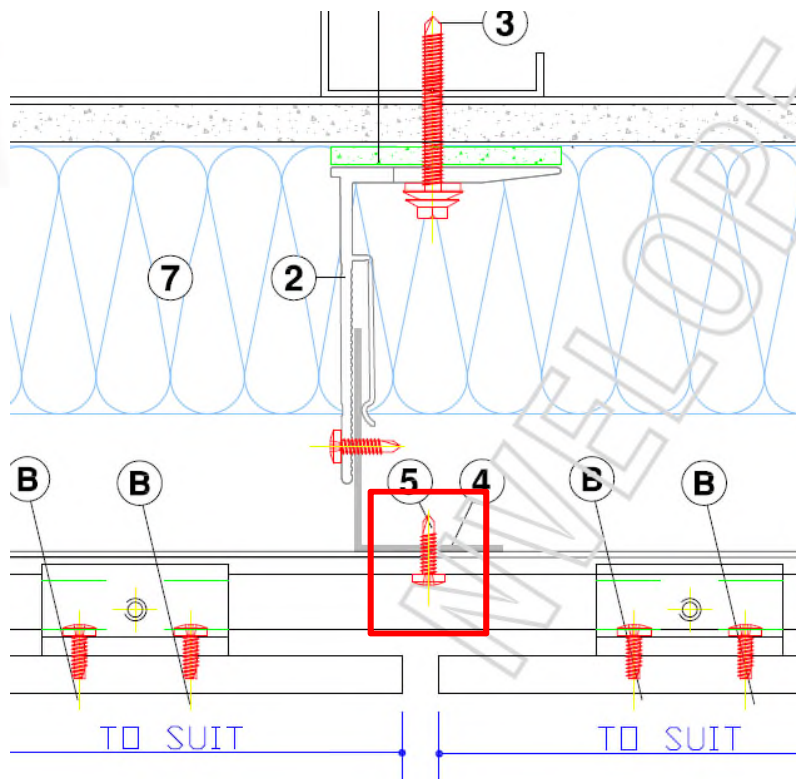
Rail to rail connector

Fastener: **SDA5/3,5-8-H13-S4-5,5X22 (#1507572)**

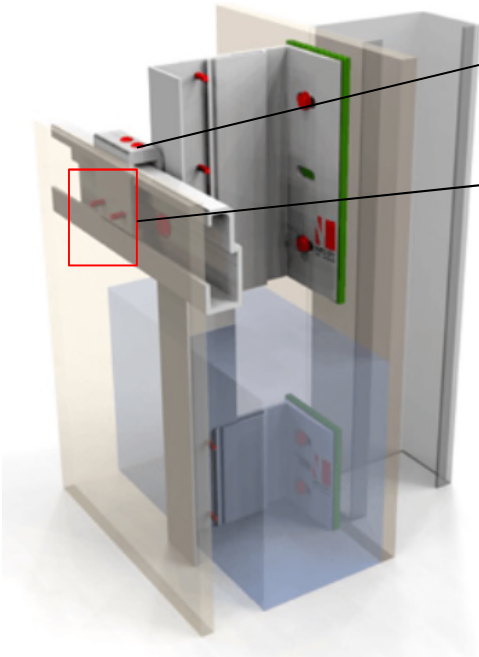
Full Stainless steel fastener for ALU application

Drill Capacity: **5mm ALU** (.1969") = suitable for 2x 2.2mm or 2.5mm ALU rail

NONE OF THE RAILS ARE PRE PUNCHED!



NV3 BRACKET TO PANEL



4

NV3 CLIP HORIZONTAL FIXATION

SDA5/3,5-8-H13-S4-5,5X22 (#1507572) or
SDA5/3,5-16-H13/SR2-S-5,5X30 (#1565452)

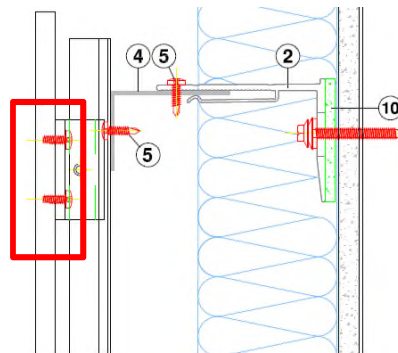
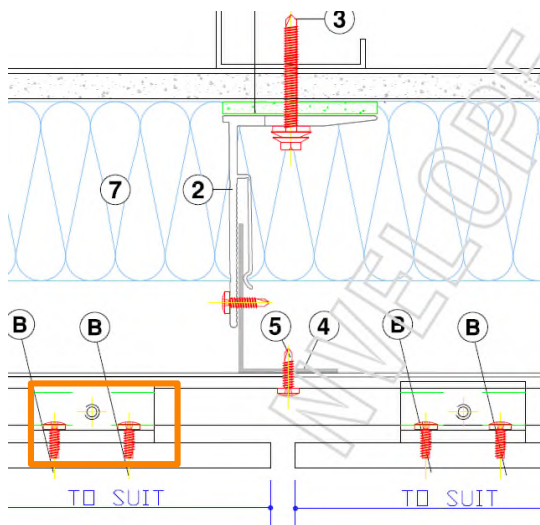
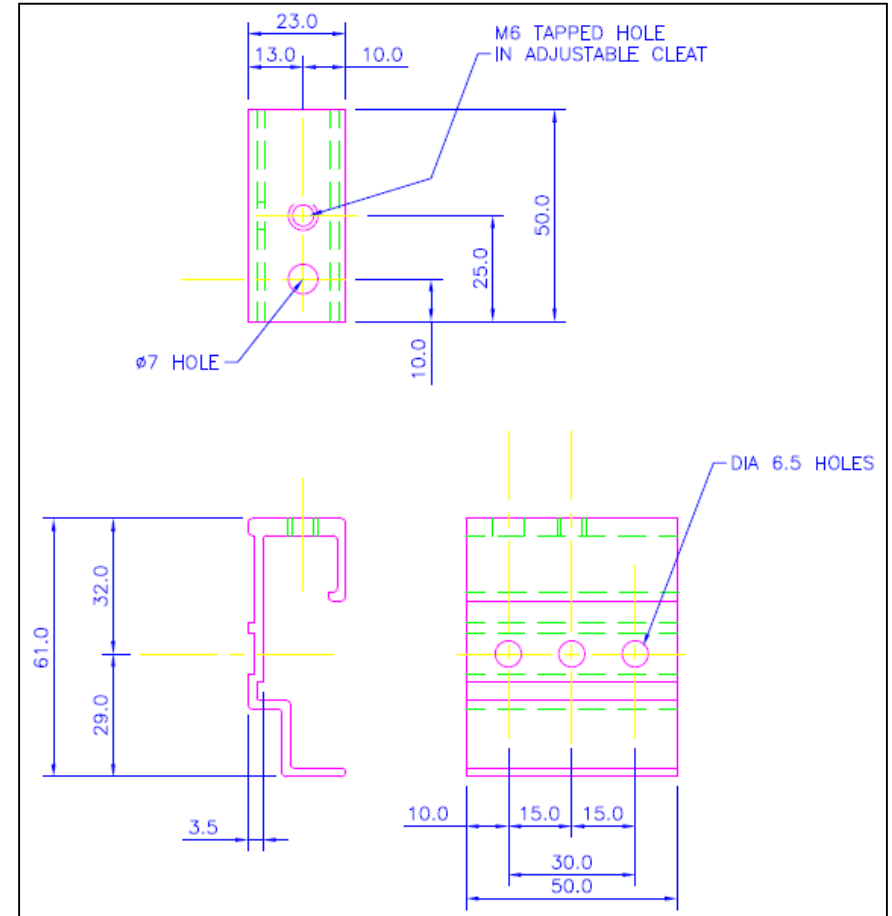
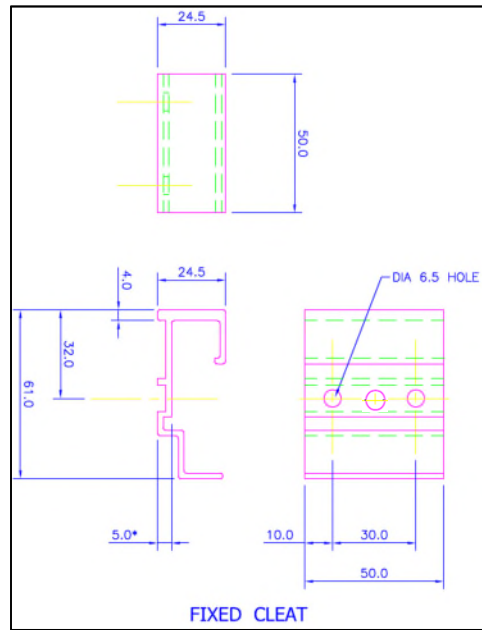
5

NV3 BRACKET TO PANEL (HIDDEN APPLICATION)

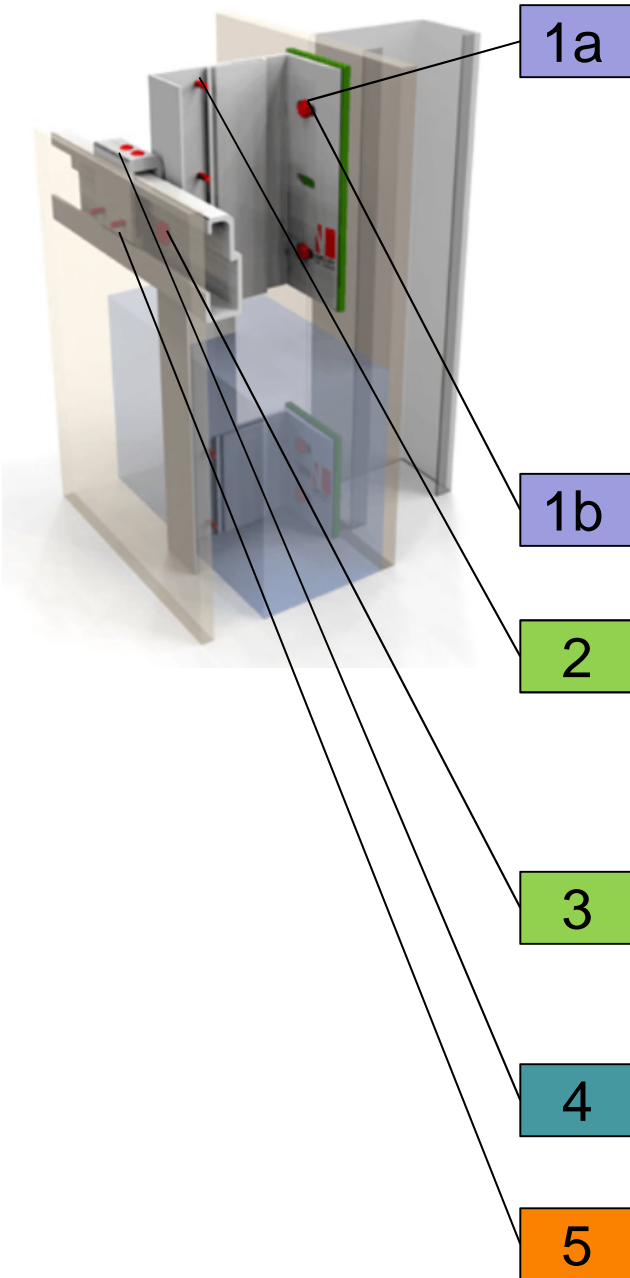
Special TUF-S bracket available

For TUF-S → 5mm hanger

For TUF-S → 3,5mm hanger



Fastener Selection



1a

Bracket to Steel Stud (thru exterior gypsum sheeting)

Fastener: **SX5/12-H13/SR2-S16-6,3X28** or **SX5/22-H13/SR2-S16-6,3X38**
or **SX5/34-H13/SR2-S16-6,3X50**

Application Description

- Typical steel thickness: 18ga (1.21mm) , 16ga (1.52mm) or 14ga (1.90mm)
- Gypsum board from ½" (12mm) or 5/8" (16mm) OR sometimes 2x ½" thickness

Fastener:

- SX5/KL-H13/SR2-S16-6,3XL = Stainless Bi Metal Fastener with 16mm (5/8") bonded washer
- (28mm) Application = steel frame with no cement board or omega
- (38mm) Application = steel frame with up to 12mm cement board
- (50mm) Application = steel frame with up to 18mm cement board

1b

Bracket to substrate

Either Mungo or fischer product range

2

Bracket to Vertical Rail or NH2 adaptor

Fastener: **SDA5/3,5-8-H13-S4-5,5X22** (#1507572)

Full Stainless steel fastener for ALU application
2x fasteners for single bracket
4x fasteners for double brackets

3

Rail to rail connector

Fastener: **SDA5/3,5-8-H13-S4-5,5X22** (#1507572)

Full Stainless steel fastener for ALU application

4

Clip horizontal fixation

Fastener: **SDA5/3,5-8-H13-S4-5,5X22** (#1507572) or
SDA5/3,5-16-H13/SR2-S-5,5X30 (#1565452)

5

Bracket to panel connector

Fastener: **TUF-S-6XL**

Concealed fixing solution for HPL or fiber cement panels

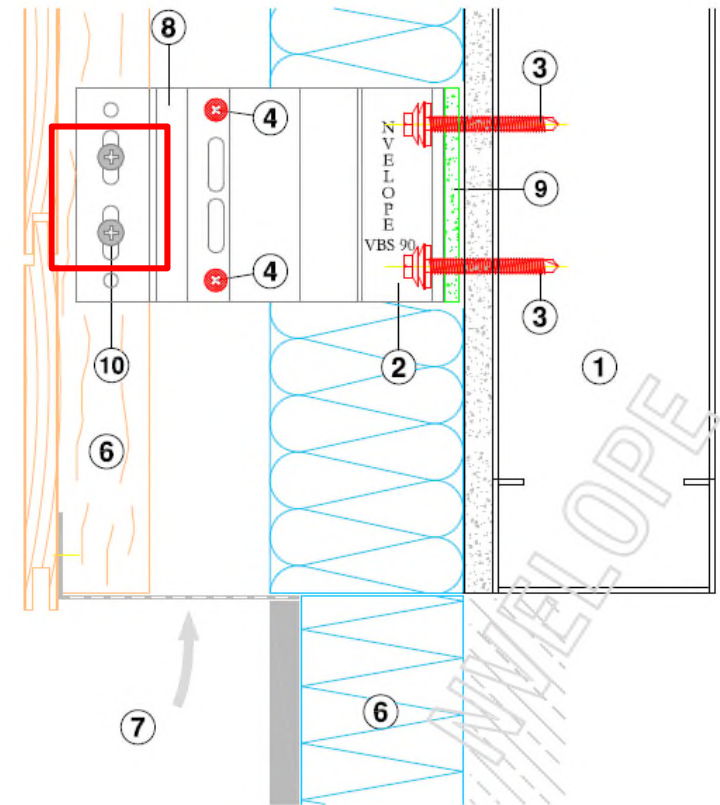
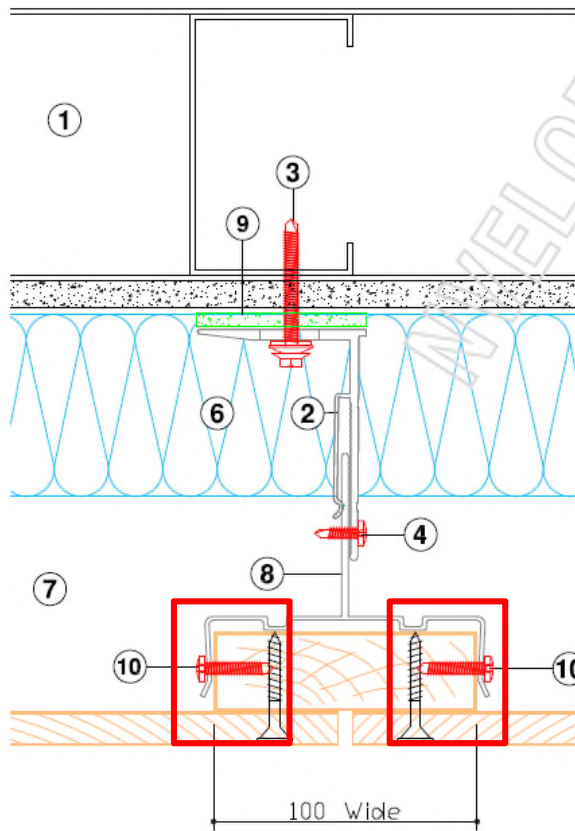
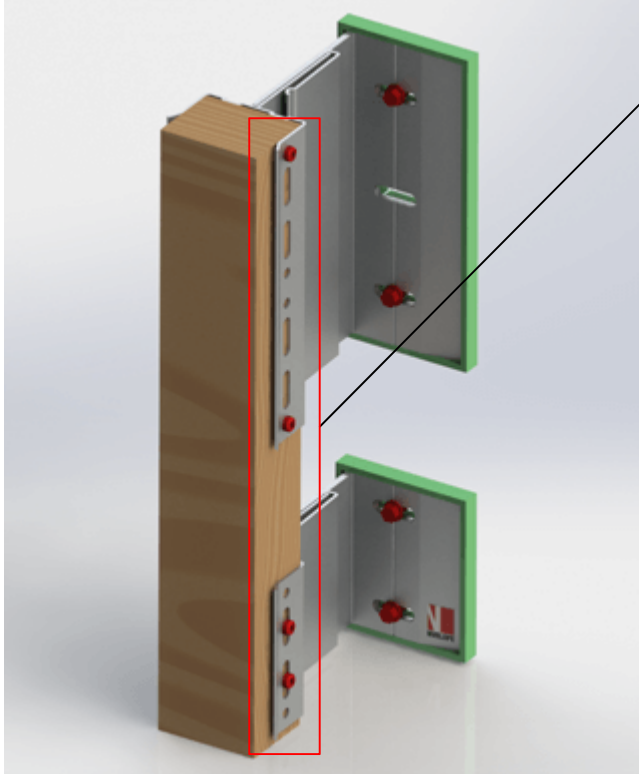
TIMBER SUPPORT APPLICATION

6

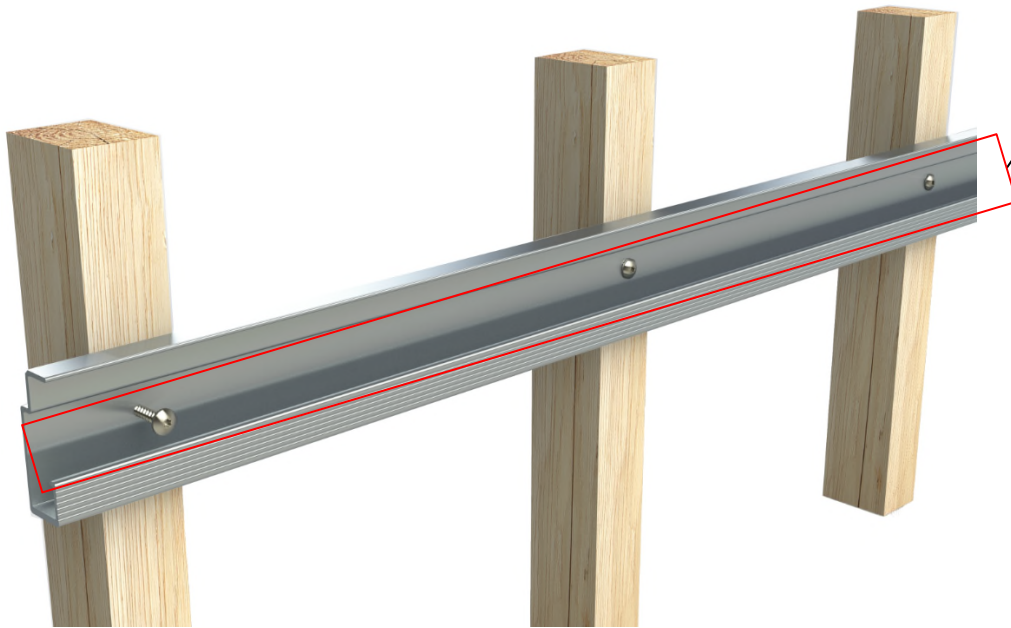
Aluminium support to timber

Fastener: TW-S-D12-4,8X30 (#1363889)

Full Stainless steel fastener for timber application
Rule: 6x diameter needs to be fastened into timber



RAIL TO WOOD APPLICATION



7

Aluminium rail to timber

Fastener: SW3-S-D11/R-4,8X38 (#1563413)

Full Stainless steel fastener for timber application
Installation of aluminium rail to timber without
predrilling of the aluminium
Rule: 6x diameter needs to be fastened into timber

