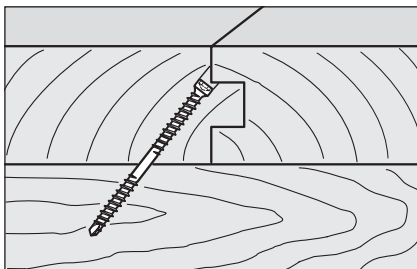
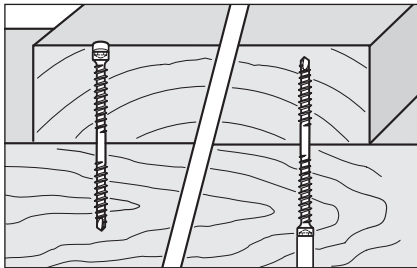
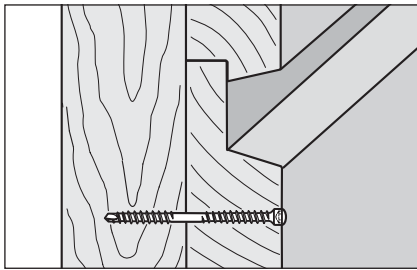




Mini-WT

The perfect fastening solution for aesthetic and durable timber cladding, terraces and decking.





The advantages of the WT system at a glance

Smaller-diameter WT fasteners (4.5, 5.0 and 6.5 mm) offer considerable advantages for attaching timber battens, cladding and decking:

- aesthetic solutions are possible since the fastening points are hardly visible
- reduced tendency to split due to the small fastener head
- small, readily countersunk head provides protection against water penetration
- minimal discoloration of the timber due to Durocoat anti-corrosion protection/A2
- stable joint, even when the timber swells and shrinks, due to the double thread
- high tensile and compressive pull-over resistance
- fasteners can be inserted flush, countersunk or at an angle
- neat countersinking also possible with larch timber
- stainless steel version (S) for use in treated timber or corrosive environments

Scope of application

Type	WT-S-5,0 x L		WT-T-4,5 x L		WT-T-6,5 x L		
Ø x L (mm)	5,0 x 45	5,0 x 60	4,5 x 40	4,5 x 60	6,5 x 65	6,5 x 90	6,5 x 130
Timber thicknesses when inserted flush (mm)	15 – 22	19 – 30	15 – 20	19 – 30	25 – 35	40 – 50	40 – 90
Timber thicknesses when countersunk flush (mm)	≤ 25	≤ 35	≤ 25	≤ 35	≤ 40	≤ 55	≤ 100

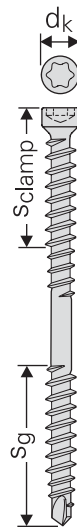
- can be used with various species of timber and timber materials
- also suitable for locations exposed to the weather, due to outstanding Durocoat anti-corrosion protection, respectively stainless steel A2

Fastener range

Material: T = Carbon steel with Durocoat surface

S = stainless steel A2

Packaging: loose or belted (=M)



Fastener range (extract)

Type	Material T / S	belted	Ø d ₁ (mm)	Length (mm)	S _g (mm)	S _{clamp} (mm)	d _k (mm)
WT - S	-	-	5,0	x 45	23	17	7,0
WT - S	-	-	5,0	x 60	23	17	7,0
WT - S	M	-	5,0	x 45	23	17	7,0
WT - S	M	-	5,0	x 60	23	17	7,0
WT - T	-	-	4,5	x 40	20	15	6,5
WT - T	-	-	4,5	x 60	23	17	6,5
WT - T	- M	-	4,5	x 40	20	15	6,5
WT - T	- M	-	4,5	x 60	23	17	6,5
WT - T	-	-	6,5	x 65	28	28	8,0
WT - T	-	-	6,5	x 90	40	40	8,0
WT - T	-	-	6,5	x 130	40	40	8,0

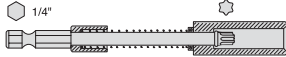

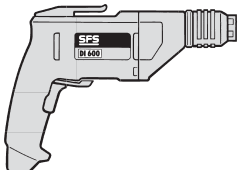
Installation aids:

Loose or belted fasteners are suitable depending on the application. Appropriate setting tools enable neat and efficient insertion.

More information

If you have any questions about fastening technology, we'll be pleased to advise you.

Setting tools and accessories

Adapter WT-T-4,5 x L and WT-S-5,0 x L WT-T-6,5 x L 	Depth stop Z661 WT to fit DI 600 
Power driver DI 600 	Driver type belts Holz Her 3338 * for: WT-T-M-4,5 x L WT-S-M-5,0 x L (*not included in range) 