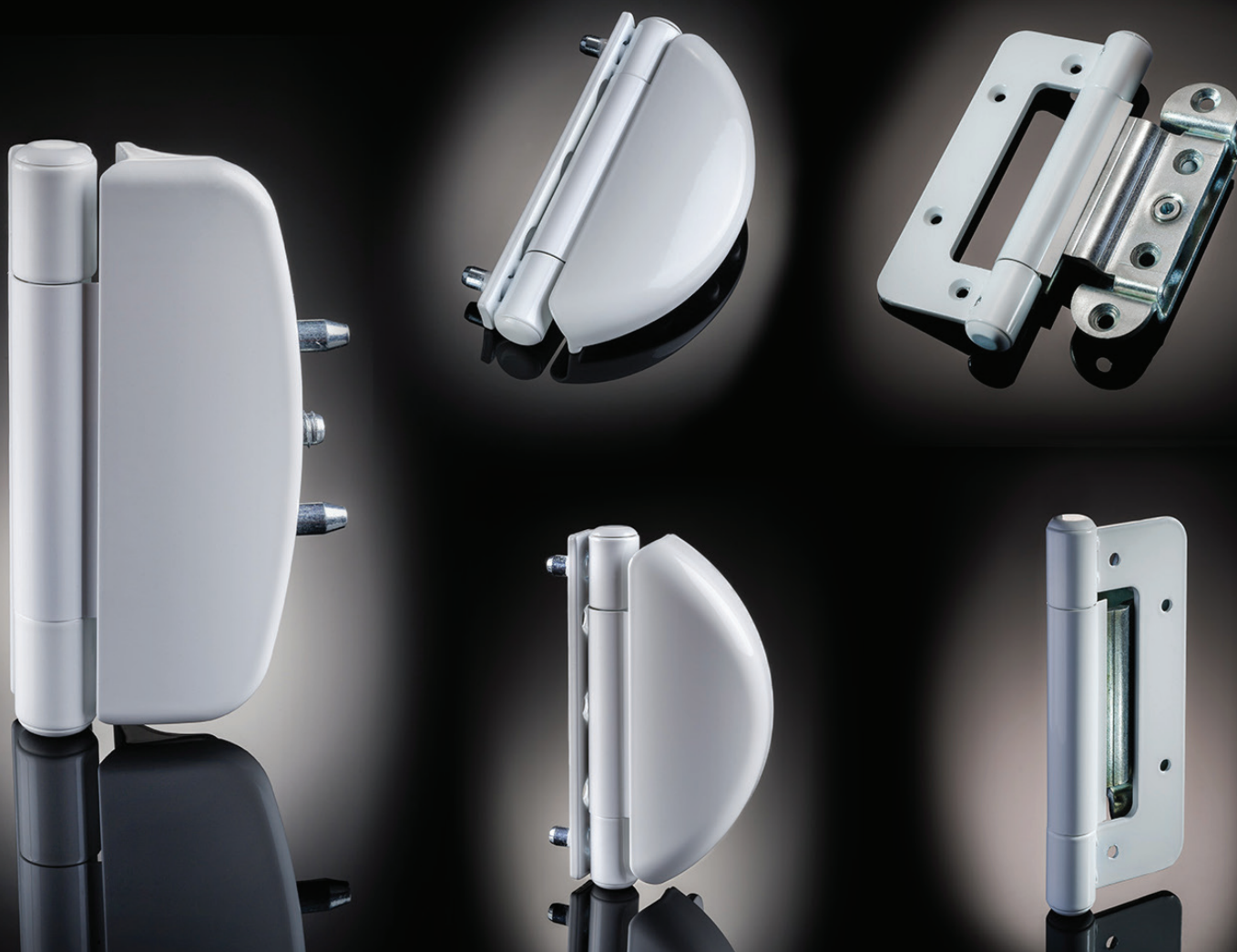


Dynamic Hinge Range

Complete hinge solutions designed for you from SFS intec



SFS intec has taken hinge design to a new level with the unique Dynamic hinge range

Developed from criteria specifically set by the UK market, the programme for the Dynamic range took into account security, adjustability, long service life and reliability without compromising on aesthetics.

The foundation of the family is the Dynamic 2D, now a market leading hinge for rebated door-sets. From this successful platform, new family members have been introduced for specific applications.

Dynamic 2D-F for flush fit composite or timber doors, Dynamic 2D-A for rebated aluminium doors and now Dynamic 2D-C for flush composite. The above will offer all of the benefits of the Dynamic platform, whilst offering traditional hinge appearance

Future proofing for building regulations

Part L and Part M

The changes in the building regulations which became effective in April 2012, sought to address the problems resulting in heat loss through the updating of doors and windows. Part L imposes requirements in terms of both the thermal insulation and the permeability.

Applicable for non-domestic buildings and dwellings too, Part M of the building regulations requires the complete provision for ease of access to, and circulation within all buildings, together with facility requirements for disabled people. Part M also covers all doors specifically in relation to opening width and thresholds.

Part M highlights that the requirements placed on even the smallest components such as a hinge, are just as key. By taking the little things into account, installers and suppliers can ensure compliancy time and time again

New dwellings and Document Q

Document Q is the latest addition to building regulations covering door and window security and applies to all new dwellings, including those resulting from a change in use of an existing building, such as commercial premises, warehouse and barns undergoing conversions into dwellings

Specifically, it sets out reasonable standards for doors and windows to resist physical attack by a casual or opportunist burglar by being both sufficiently robust and fitted with appropriate hardware.

As part of their commitment to product specification and accreditation, SFS intec have always produced products that exceed the very best in performance, security and aesthetics and the Dynamic range of hinges is once again testimony to this.

The pivotal role of hinges in regulations and standards



Secured by Design

Hinges actually play a vital role in the security performance of a door. In order to obtain a 'Secured by Design' license, door-sets must meet BS PAS-024.

This means passing rigorous tests, involving attack by hammers, pry bars and shoulder charging.

As the toughness of locks increase, the durability of hinges becomes more important.

SFS intec hinges are robust enough to meet and exceed these standards throughout the lifetime of the door.



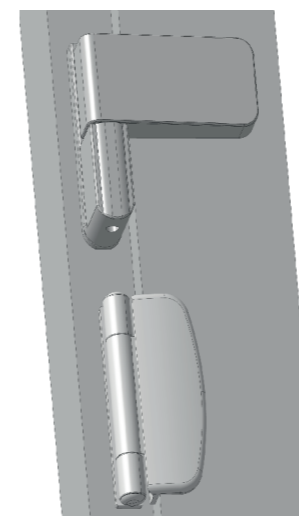
CE marking regulations

Under the Construction Products Regulation it is now mandatory to apply CE marking to any products covered by a harmonised European standard (HEN) or product-specific European Technical Assessment (ETA).

This ensures products match the suitability and performance standards claimed and allows customers to recognise trustworthy suppliers.

At SFS intec our products are CE marked when required by the market, through the ETA process, meaning our customers can always depend on a highly reliable supply.

Much more than just good looks



◀ Traditional hinges can damage the internal reveal or compromise opening width

◀ SFS intec Dynamic range eliminate the problem

Superficial components need to be aesthetically pleasing, especially where end users are concerned - SFS intec put a great deal of thought into this area.

SFS intec hinges are sleek in appearance and available in a wide range of colours.



The Dynamic 2D frame and sash components are also available in different colours to match any door and frame combination.

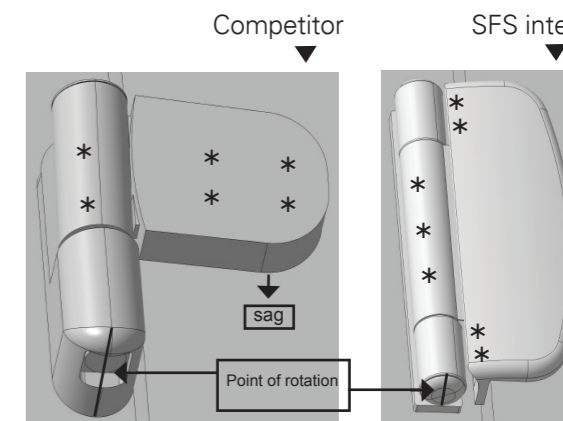


Eliminate the sag

The Dynamic range increase the longevity of the door-set by eliminating the problem of doors 'sagging' over time. Basically, this is because the fixed points on the door and frame are closer together than they are with a standard flag hinge.

This means that a flag hinge experiences a greater turning force exerted by the weight of the door, pulling it out of shape.

To demonstrate this principle, try holding an object at arms length and see how much heavier it feels than when it is held close to your body.



* Fixing Points

The closer together the fixing points and rotational points results in less strain on the door hinge

Lifetime assurances with SFS intec

The performance of a doorset quite literally hangs on the hinges. Any movement over time will have a knock on effect on the rest of the doorset. Rock solid hinges are crucial to its consistent flawless operation over a long life.

The enduring quality of SFS intec products comes from the best possible design and engineering and has benefits throughout the supply chain. Ultimately, end users get long lasting performance that they will never even notice.

With SFS intec hinges, installers save time due to the ease of installation and get peace of mind that they will not be required to rectify any costly problems.

Specifiers and fabricators know that they are using the best products. This will contribute to the overall reliability of their work, customer satisfaction and their reputation.

Introducing the Dynamic 2D hinge

- Superior aesthetics and performance
- Fit and forget – eliminates remedial work on sagging doors
- Custom designed sash plates for all leading profile systems
- Low profile hinge stack, eliminating damage to plaster reveals and decorations
- Suitable for PVC-U, timber and composite doors
- Makes safer, simpler, door lifting possible – installation can be completed by a single operative
- Fixed gasket pressure – weather seal always remains exactly as preset in the factory so that on site installation errors are eliminated
- Dog-bolts are not required
- Constant 4mm adjustment space – no need to adjust top pin in relation to bottom pin

Leading profile systems	
■ Aluplast	■ Profile 22
■ Deceuninck	■ Rehau
■ Duraflex	■ Selecta
■ Eurocell	■ Spectus
■ Kommerling	■ Swish
■ LB Plastics	■ Synseal
■ Liniar	■ Veka/Halo

"We placed 100% of our business with SFS intec as they had proven to deliver a quality product on time which did what is said on the tin."

*Adam Webb, Purchasing Manager
Garrard Windows*



To meet the growing trend towards composite doors, the well proven Dynamic platform was further developed to suit flush door applications. With the introduction of Dynamic 2D-F it is now possible to have matching hinges throughout a property that share similar aesthetics, whilst maintaining the same adjustability and security performance.

The many benefits of the Dynamic 2D-F

- Superior aesthetics and performance
- Fit and forget – eliminates remedial work on sagging doors
- Split colour options – separate colours to match coloured doors with white frames
- Makes safer, simpler, door lifting possible – installation can be completed by a single operative
- Fixed gasket pressure – weather seal always remains exactly as preset in the factory so that onsite installation errors are eliminated
- Constant 4mm adjustment space – no need to adjust top pin in relation to bottom pin

"We always aim to deliver quality products which is why we trust only reliable manufacturers like SFS intec who are committed to working closely with us."

*Haydon Statham, Sales Director
Phoenix Doors*

Dynamic 2D-C Hinge

In response to customer requests for a hinge for composite doors that can offer a traditional appearance, the Dynamic foundation has been further developed to create the slimline Dynamic 2D-C, which improves aesthetics whilst maintaining the strength and durability of the original. The hinge body sits neatly over the air-gap of the door, again without any compromise to the user friendliness or security performance.

The many benefits of the Dynamic 2D-C

- Fit and forget – eliminates remedial work on sagging doors
- High security and strong technical performance - meets PAS 024 and Document Q compliant
- Two dimensional direct adjustment - perfect threshold seal
- Unique patented lateral adjustment
- Available in a range of finishes

"I was consulted in the development of the first Dynamic 2D hinge which incorporated all of the features and criteria that I considered essential in a door hinge. The Dynamic 2D-C exhibits all of the same benefits of the original and in my opinion represents a positive development in composite door hinge design. The new product has already been identified by some of our composite door fabricators and installers as their hinge of choice because of its features and benefits."

*Mike Roe, Sales Manager
DoorCo*

Dynamic 2D-A Hinge



With PVC-U, composite and timber doors all being catered for, the next addition to the family was to develop a hinge specifically for the aluminium sector. Dynamic 2D-A brings the same features and benefits as all of its siblings plus a unique sash plate clamp system capable of a load capacity of 40kg per hinge. Available in mill finish, this enables systems companies to match the hinge colour exactly to the door section for each project.

The many benefits of the Dynamic 2D-A

- Superior aesthetics and performance
- Makes safer, simpler, door lifting possible – installation can be completed by a single operative
- Fit and forget – eliminates remedial work on sagging doors
- Fixed gasket pressure – weather seal always remains exactly as preset in the factory so that on site installation errors are eliminated
- Low profile hinge stack, eliminating damage to plaster reveals and decorations
- Constant 4mm adjustment space – no need to adjust top pin in relation to bottom pin

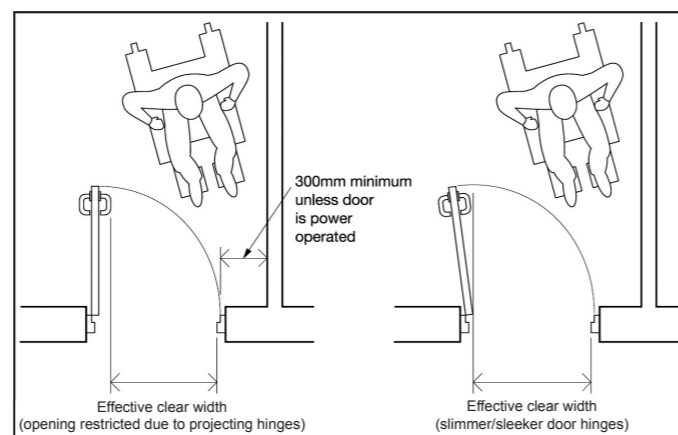


What meeting Part M hinges on

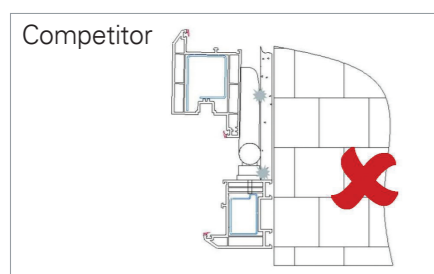
Part M of the building regulations requires door openings to enable wheelchair access and a minimum width of 775mm is specified. Hinge design can be crucial in meeting this standard.

The Dynamic hinge range allows door movement of over 90 degrees, which often makes the crucial difference.

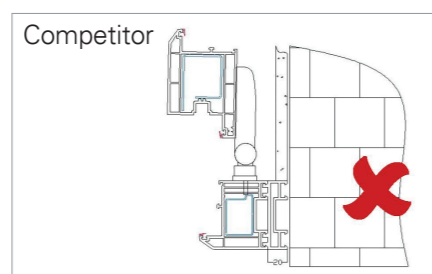
The clear difference a hinge can make ▶



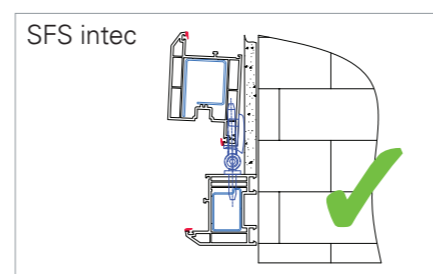
Wider access with a slimmer hinge



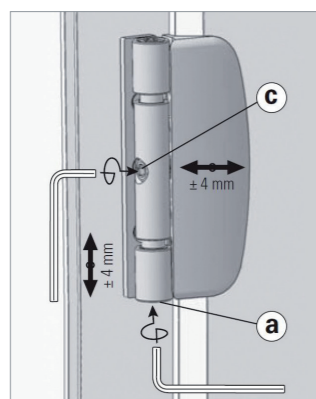
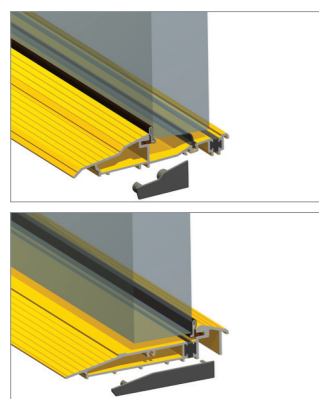
This hinge is too bulky for the frame, so there are two impact points on the internal plaster reveal.



To overcome this, an add-on profile gives the hinge clearance – but this reduces the available clear opening width of the door and adds cost.



The obvious solution is the slimmer Dynamic 2D hinge which maximises the door opening width with ease.

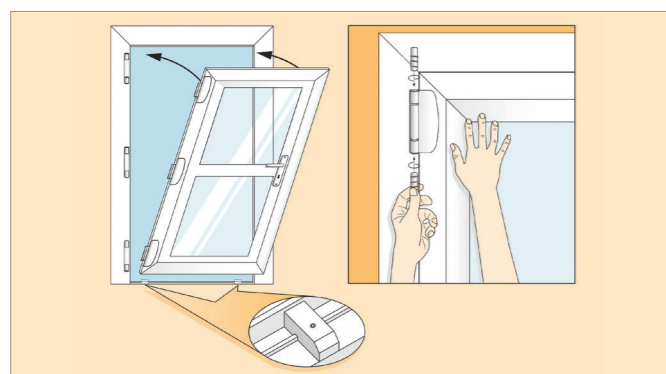


Low thresholds no problem

The use of 'low threshold' door sills is on the increase as they are designed to meet Part M. These require very precise hanging of doors with respect to height in order to achieve a good seal.

SFS intec Dynamic hinges feature unique adjustability in a downward or upward direction solving this problem with ease.

◀ Adjustability is the key



Installation

The unique design of SFS intec hinges makes installation a one man job. There's no need to lift doors onto hinges from above as they just slide straight on. Minor adjustments can be made in an upward or downward direction after the attachment, to get the perfect fit. This is another unique feature and ensures the long-term performance of the doorset.

◀ Hinges designed for easy installation

Product	Feature/Benefit	Fabricator	Installer	End User / Homeowner
2D 2D-F 2D-C 2D-A	Slimline appearance 3-5mm less than a flag hinge <ul style="list-style-type: none"> Improved aesthetics Wider door opening No damage to door reveal or plaster Reduces the risk of transport damage 	<ul style="list-style-type: none"> You have fewer remakes to produce saving you time and money 	<ul style="list-style-type: none"> Enables you to comply with Part 'M' of building regs. You do not need to repair damage to door or plasterwork Your installations can take place on time, maximising your efficiency, thus saving you time and money 	<ul style="list-style-type: none"> You get a better looking door You can move your furniture in and out with ease You do not need to repair damage to door or plasterwork You have no inconvenience as your installation will be carried out on time
2D 2D-F 2D-C 2D-A	PAS 024 (SBD) Certified <ul style="list-style-type: none"> Independently proven security performance CE marking and Document Q compliant. 	<ul style="list-style-type: none"> You have an added value offering that meets SBD requirements CE marking and Document Q compliant. 	<ul style="list-style-type: none"> You have an added value offering that meets SBD requirements CE marking and Document Q compliant. 	<ul style="list-style-type: none"> You have peace of mind and security. You can sleep safe at night
2D 2D-F 2D-C 2D-A	Double pin design (40kg) <ul style="list-style-type: none"> High load carrying capacity Will not drop or sag Enables easy door removal - even on inward opening doors 	<ul style="list-style-type: none"> You can use just 3 hinge per door up to 120kg saving you costs. 	<ul style="list-style-type: none"> You can eliminate hinge related service calls. Saving you time and money. Your reputation is enhanced. One single operative can remove and reinstall leaf from frame single handed. You save time and money, optimising manpower 	<ul style="list-style-type: none"> You get a better looking door Eliminate the need for service calls Door leaf can easily be removed when moving your furniture
2D 2D-F 2D-C 2D-A	2 dimensional direct adjustment <ul style="list-style-type: none"> Rotational axis of the hinges remains constant at all times Easy direct downward adjustment of 4mm 	<ul style="list-style-type: none"> You can easily amend slight deflections in frame or sash You have no need to accommodate low thresholds with flag hinges i.e. fit them expecting them to drop 	<ul style="list-style-type: none"> You get the adjustment you require without compromise You also reduce service calls due to squeaking hinges You can optimise the threshold seal compression without the risk of premature wear of the seal eliminating consequential service calls 	<ul style="list-style-type: none"> You get a longer lasting, more durable, squeak free door You do not have draught or leak issues with your door No waiting around for a service call No aggravation
2D 2D-F 2D-C 2D-A	Pre-set gasket pressure <ul style="list-style-type: none"> Factory set, guaranteed, gasket pressure 	<ul style="list-style-type: none"> Your production is right first time and the installer cannot interfere with the setting so no comeback from installers You can easily identify other process issues such as correct corner cleaning 	<ul style="list-style-type: none"> You have no need to adjust gasket pressure Guaranteed correct compression every time You can eliminate more service calls If there is a gasket pressure issue you have no liability - that is with the fabricator 	<ul style="list-style-type: none"> You have a door with guaranteed consistent weather performance
2D 2D-F 2D-C 2D-A	Precision Jig System (optional multi jig system) <ul style="list-style-type: none"> Ensures consistent, easy preparation 	<ul style="list-style-type: none"> Speed and accuracy of fit means that you will save production time and money 	<ul style="list-style-type: none"> You will have a product where full adjustment is still available 	<ul style="list-style-type: none"> You will have a perfectly functioning door resulting in no call backs
2D	Profile Specific Sash Plates <ul style="list-style-type: none"> Tailored sash plates which enhance the appearance of the finished door set 	<ul style="list-style-type: none"> You will be safe in the knowledge that you are fitting a purpose made product 	<ul style="list-style-type: none"> Gives you improved aesthetics which gives you a key selling point You will be safe in the knowledge that you are fitting a purpose made product 	<ul style="list-style-type: none"> You will have a tailor made, purpose designed better looking door
2D-C	Traditional appearance, over the air gap position <ul style="list-style-type: none"> Improved aesthetics No damage to door reveal or plaster Reduces the risk of transport damage 	<ul style="list-style-type: none"> You have fewer remakes to produce saving you time and money 	<ul style="list-style-type: none"> You do not need to repair damage to door or plasterwork Your installations can take place on time, maximising your efficiency, thus saving you time and money 	<ul style="list-style-type: none"> You get a better looking door You do not need to repair damage to door or plasterwork You have no inconvenience as your installation will be carried out on time

CASE STUDY



Garrard Windows

Background

Garrard Windows are one of the largest suppliers of UPVC windows to the trade in England. In 2007 SFS intec began supplying Garrard Windows with the Dynamic 2D hinge. By 2012 the Dynamic 2D accounted for approximately 50% of the total UPVC doors manufactured by Garrard Windows; Two other suppliers accounting for the balance. Due to technical issues experienced with one supplier and stock issues with the other, a decision was made during 2014 to standardise on the Dynamic 2D. PAS024 testing to be undertaken in 2016.

CASE STUDY



Glazerite Windows

Background

Glazerite windows was formed by John Hewitt and Jason Thompson in 2000 and is one of the largest VEKA fabricators in the UK today. They were one of the first fabricators to take delivery of the Dynamic 2D when it was launched in 2006. Original demonstration was to two fabricators. They now have ten permanent door hangers on both day and night shift. Glazerite have grown year on year and now fit D2D, D2D-F and Guardian hinges. All hinges successfully security tested to PAS 24.

CASE STUDY

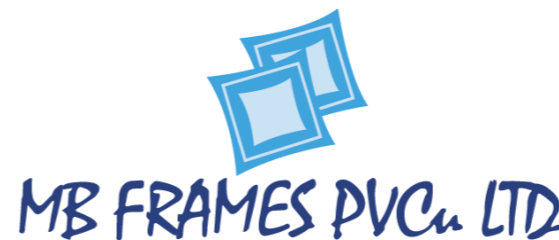


Omega Trade Frames

Background

Omega Trade Frames were formed in 1997 and have gone from strength to strength to become one of the largest manufacturers of high quality UPVC trade frames in the South West of England. A close working relationship was formed in 2012 with SFS intec. Since then Omega have managed to come away from door hinges which were manufactured in the far east by replacing them with Dynamic 2D for all PVC-U doors or the Dynamic 2D-F hinge for composite doors. Omega firmly believes that the SFS door hinge has helped build on their high quality brand.

CASE STUDY



MB Frames

Background

MB Frames PVCu Ltd, are now in their 24th year of manufacturing and produce in excess of 700 products a week from their premises in Bristol. Committed to using only the very best hardware available, MB Frames are proud of their industry reputation for high standards of quality. This made the decision to take on the SFS Dynamic door hinge an easy one. "This superior SFS product has enhanced the aesthetic look of the doors and MB Frames have nicknamed the Dynamic 2D & 2D-F hinge the 'fit n' forget', as once fitted you can forget all about it!"

Paul Young
MB Frames PVCu Ltd

Pas24 testing was completed in 2015.



The Total Support van team operate in Northern England, East Midlands and Home Counties, supplying tools, accessories and hinges as well as guidance on how to get the best out of our products and advice on meeting the latest regulations.

Combined with our technical sales team, we can offer you a full service backed up with the support of a global company and meaningful warranties. Contact details below.

SFS intec Ltd.
153 Kirkstall Road
Leeds LS4 2AT

Tel: 0113 208 5500
Fax: 0113 208 5519
Email: uk.info@sfsintec.biz
Web: www.sfsintec.biz/uk

SFS intec
Turn ideas into reality.